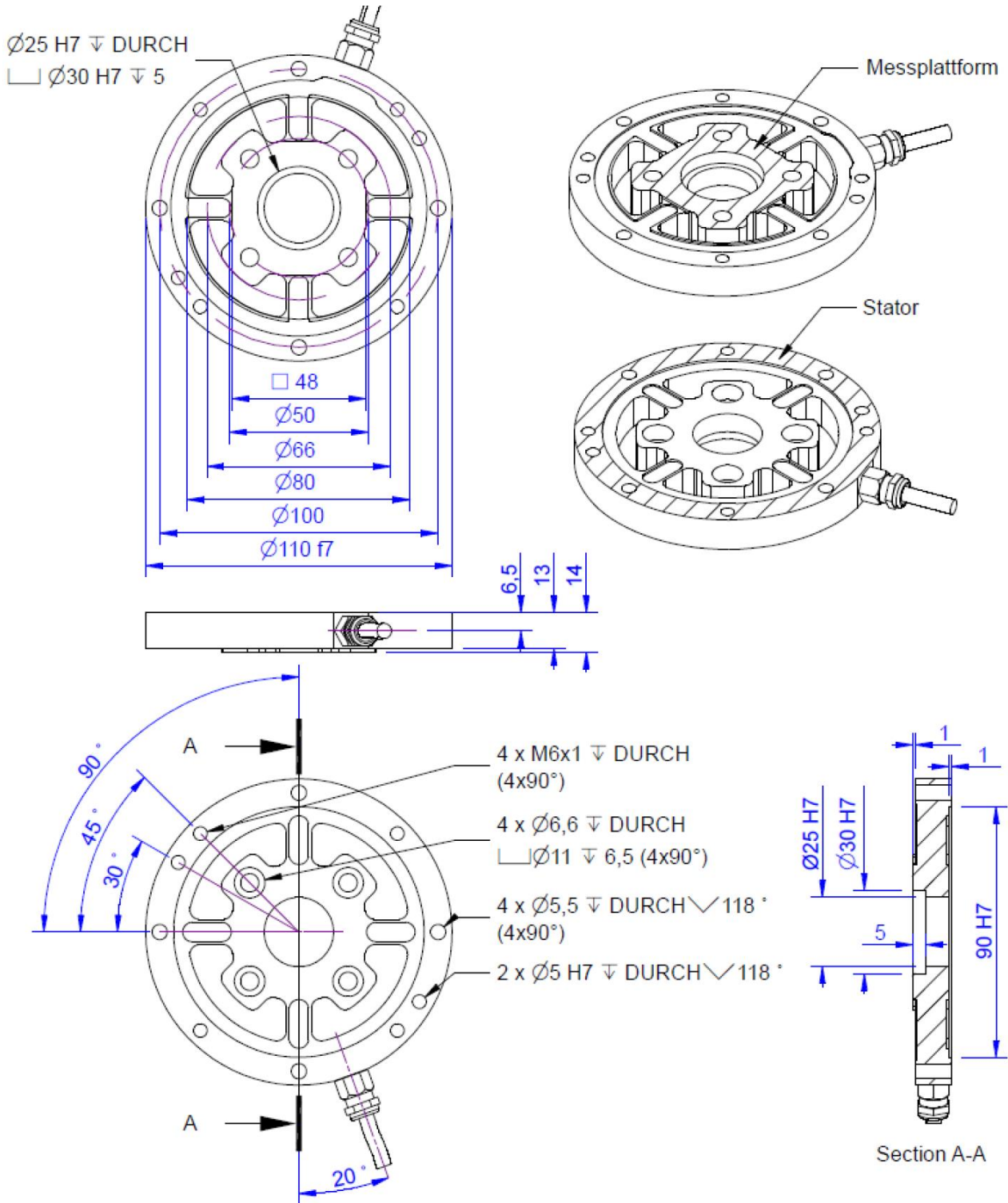


T1-S11A

STATIC TORQUE TRANSDUCER

measuring range: 20, 50, 100, 200 Nm



Technical Data
Electrical Data

Input resistance	2000	Ohm
Tolerance input resistance	10	Ohm
Output resistance	2000	Ohm
Tolerance output resistance	10	Ohm
Insulation resistance	5	GOhm
Rated range of excitation voltage f	2.5 ... 5	V
Operating range of excitation voltage f	1 ... 10	V
Zero signal	0.05	mV/V
Rated output	1	mV/V / FS

Precision

Accuracy class	0.1	
Relative linearity error	0.1	%FS
Relative zero signal hysteresis	0.1	%FS
Temperature effect on zero signal	0.01	%FS/K
Temperature effect on characteristic value	0.01	%RD/K
Relative creep	0.05	%FS

Connection Data

Connection type	4 conductor open
Name of the connection	4x0,14
Cable length	3 m

Temperature

Rated temperature range f	-10 ... 60	°C
Operating temperature range f	-10 ... 85	°C
Storage temperature range f	-10 ... 85	°C
Environmental protection	IP65	

Basis Data

Type	shear beam
Rated torque	20, 50, 100, 200 Nm
Bending moment limit	20 Nm
Maximum operating torque	150 %FS
Breaking torque	400 %FS
Rated torsion angle	0.02 °/FS
Axial force limit	1000 N
Lateral force limit	1000 N
Torque introduction	pitch circle
Dimension 1	Ø50
Dimension 2	Ø100
Diameter	110 mm
length	14 mm

Pin Configuration

Symbol	Description	Wire colour
+Us	positive bridge supply	brown
-Us	negative bridge supply	white
+Ud	positive bridge output	green
-Ud	negative bridge output	yellow

Shield- transparent.