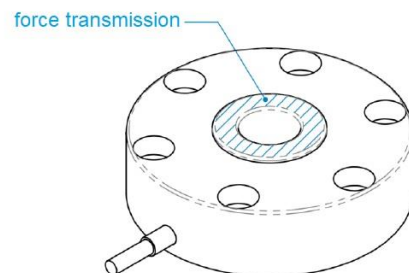
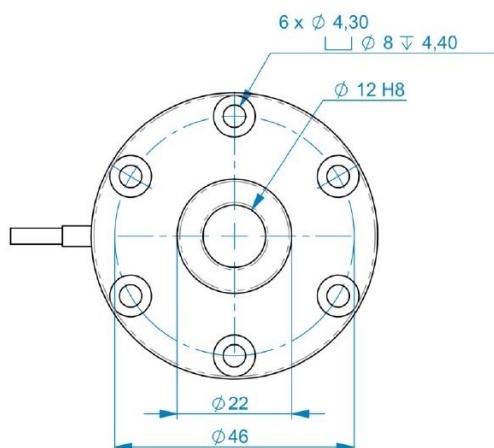
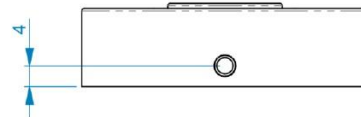
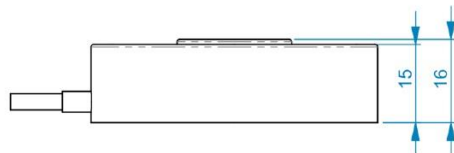
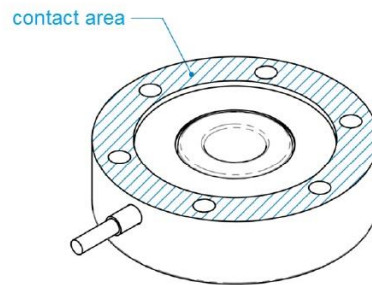
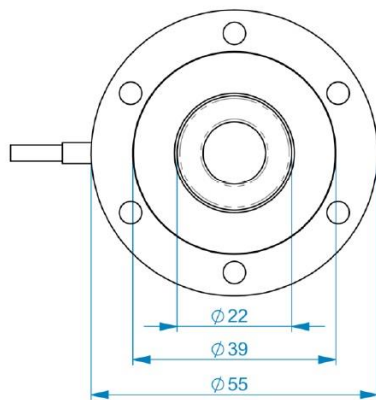


K1-M55

compression force sensor: 10, 20, 50 kN



Dimensions:



Technical Data:

Force sensor

Type	Load cell
Force direction	Compression
Rated force F _x	10 , 20 , 50 kN
Force introduction	Through bore
Dimension 1	Ø12
Sensor Fastening	Through bore
Dimension 2	6x Ø4,30
Operating force	150 %FS
Rated displacement	0.07 mm
Lateral force limit	50 %FS
Material	Stainless steel
Natural frequency	5 kHz
Height	16 mm
Length or Diameter	55 mm

Electrical Data

Input resistance	780 Ohm
Tolerance input resistance	80 ±
Output resistance	700 Ohm
Tolerance output resistance	10 Ohm
Insulation resistance	2 GOhm
Rated range of excitation voltage f	2.5 ... 5 V
Operating range of excitation voltage f	1 ... 10 V
Zero signal	0.05 mV/V
Rated output	1 mV/V / FS

Precision

Accuracy class	1%
Relative linearity error	0.1 %FS
Relative zero signal hysteresis	0.05 %FS
Temperature effect on zero signal	0.02 %FS/K
Temperature effect on characteristic value	0.02 %RD/K
Relative creep	0.1 %FS

Connection Data

Connection type	4 conductor open
Name of the connection	24-4 PUR
Cable length	3 m

Temperature

Rated temperature range f	-10 ... 70 °C
Operating temperature range f	-10 ... 85 °C
Storage temperature range f	-10 ... 85 °C

Pin Configuration

Symbol	Description	Wire colour
+Us	positive bridge supply	brown
-Us	negative bridge supply	white
+Ud	positive bridge output	green
-Ud	negative bridge output	yellow

Screen - transparent.

Compressive load : positive output signal