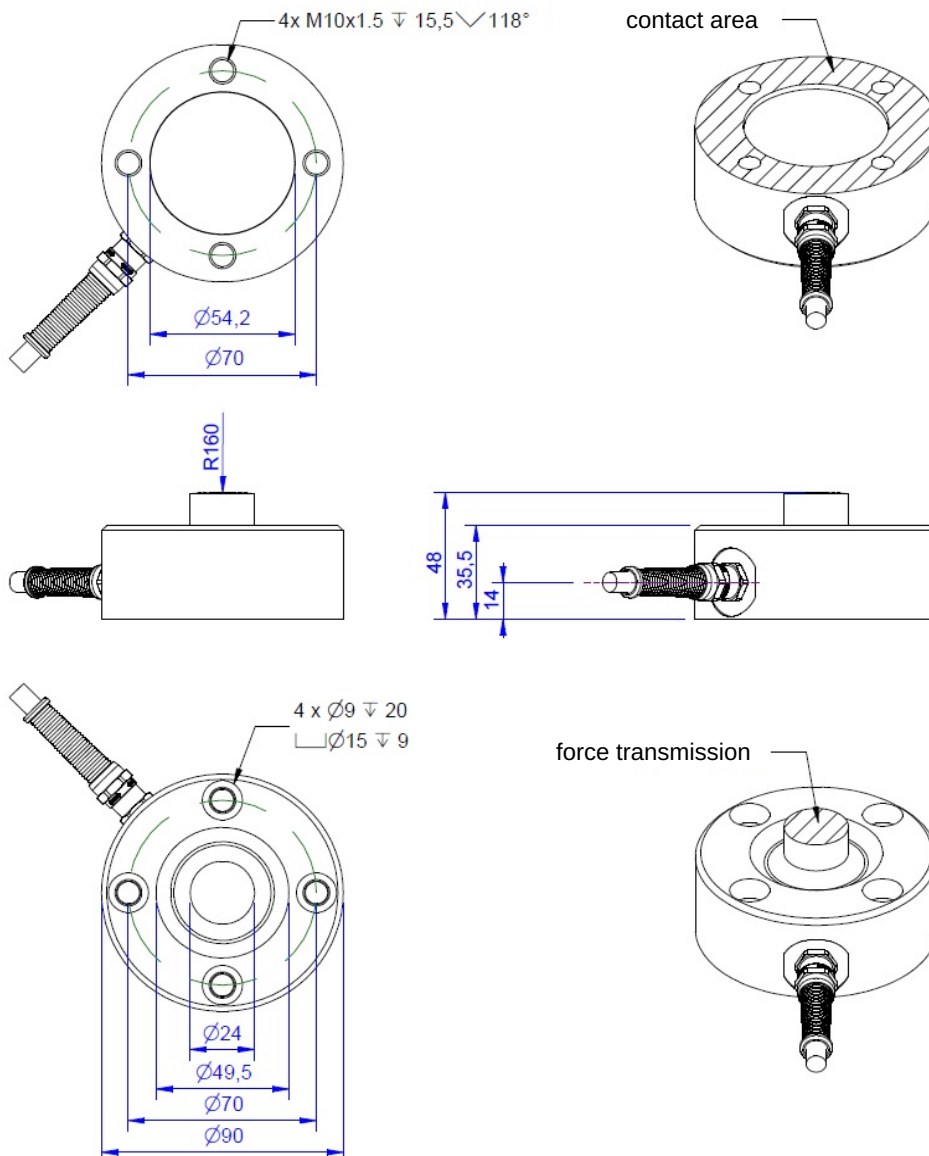


K1-M90

compression force sensor: 20, 50 kN



Dimensions:



Technical Data:

Force sensor

Type	Load cell
Force direction	Compression
Rated force Fx	20 , 50 kN
Force introduction	Load button
Dimension 1	Ø24x12,5
Sensor Fastening	Circular ring
Dimension 2	Ø90x35,8
Operating force	150 %FS
Rated displacement	0.07 mm
Lateral force limit	50 %FS
Material	Stainless steel
Natural frequency	5 kHz
Height	48 mm
Length or Diameter	90 mm

Electrical Data

Input resistance	780 Ohm
Tolerance input resistance	80 ±
Output resistance	700 Ohm
Tolerance output resistance	2 ±
Insulation resistance	2x10 ⁹ Ohm
Rated range of excitation voltage f	2.5 ... 5 V
Operating range of excitation voltage f	1 ... 10 V
Zero signal	0.05 mV/V
Rated output	1 mV/V / FS

Precision

Accuracy class	0,5%
Relative linearity error	0.1 %FS
Relative zero signal hysteresis	0.05 %FS
Temperature effect on zero signal	0.02 %FS/K
Temperature effect on characteristic value	0.02 %RD/K
Relative creep	0.1 %FS

Connection Data

Connection type	4 conductor open
Name of the connection	Unitronic FD CP TP Plus /2x2x0,25
Cable length	3 m

Temperature

Rated temperature range f	-10 ... 70 °C
Operating temperature range f	-10 ... 85 °C