

K1-M26Z

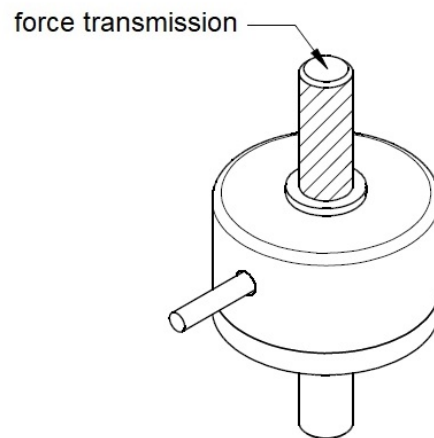
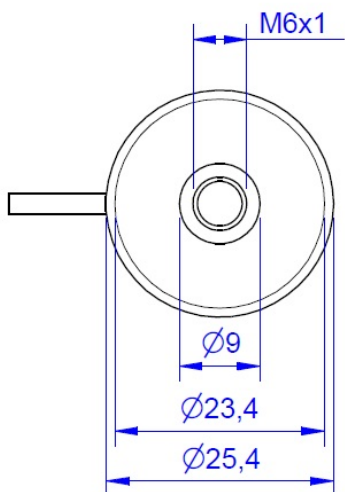
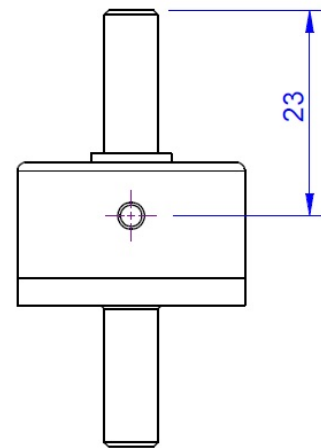
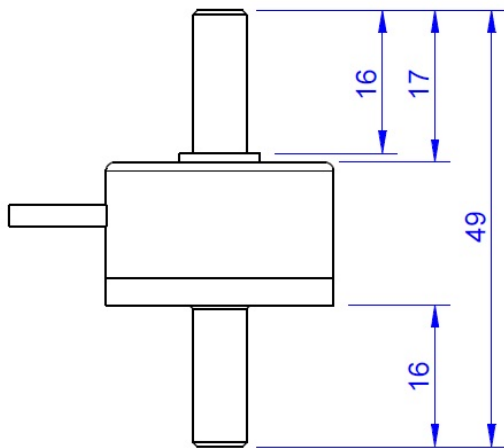
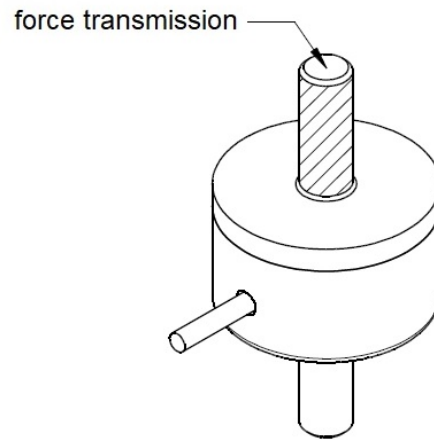
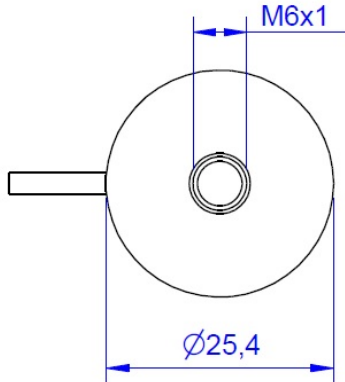
compression-tension force sensor



Measurement ranges:

20N, 50N, 100N, 200N, 500N, 1kN, 2kN, 5kN

Dimensions:



Technical Data:

Measurement / Material		
Design		Membrane force sensor
Material		Aluminium-Alloy Stainless steel from 100N
Dimensions	mm x mm	Ø25,4 x 49
Force transmission / Thread		M6
Mechanical Data		
Nominal Force (FS)		20N ... 5kN
ration force	%FS	150
Break load	%FS	300
Deflection by FS	mm	0,08
Electrical Data		
Nominal output 1)	mV/V @ FS	1
Zero balance	mV/V	0,05
max. supply voltage	V	10
Input resistance	Ohm	390 ±40
Output resistance	Ohm	350
Insulation resistance	Ohm	>2 10 ⁹
Connection STC-31V-4	m	3
Accuracy		
Nominal output 2)	%	1
rel. linearity deviation	%FS	0,1
rel. reversal error 2)	%FS	0,05 (0,2)
Temperature coefficient of the zero signal	%FS/K	0,02
Temperature coefficient of the parameter	%RD/K	0,02
Creep Error (30 min)	%FS	0,1
Temperature		
Nominal temperature range	°C	-10 ... +70
Working temperature range	°C	-10 ... +85
Storage temperature range	°C	-10 ... +85
Environmental protection		IP67

Abbreviation : RD: „Reading“; FS: „Full Scale“;

- 1) The exact nominal sensitivity is indicated in the test report;
till nominal output 50N: ca 0,5 ...1,0mV/V

Pin configuration:

+Us	positive bridge supply	red
-Us	negative bridge supply	black
+UD	positive bridge output	green
-UD	negative bridge output	white
Shield		transparent

Pressure load : positive output signal