

Series load cells: **CLS**

Up to 2000 kg application range



MAX STATIC LOAD kg	FOR LOAD CELLS	NET WEIGHT (kg)	CODE
2000	CLS (1000 - 2000 kg)	0.6	PVCLS

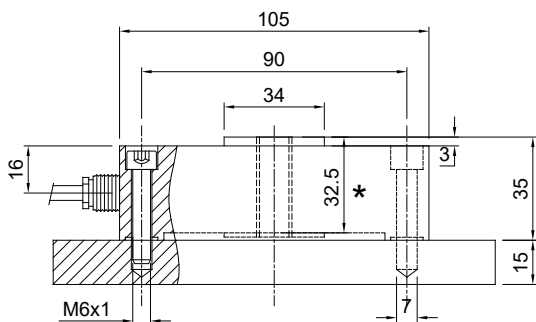
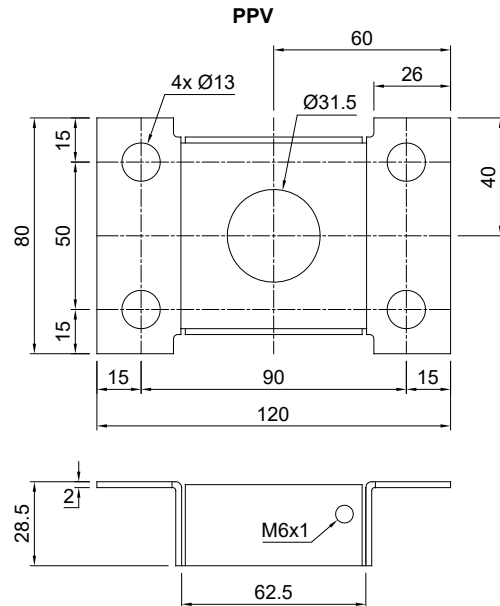
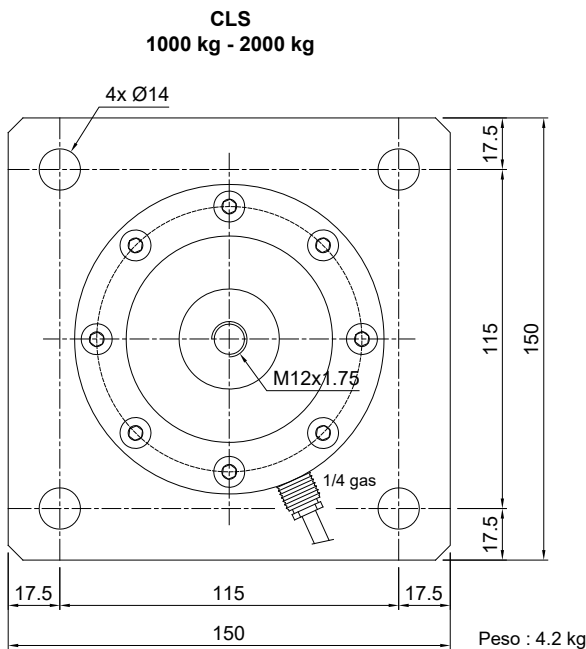
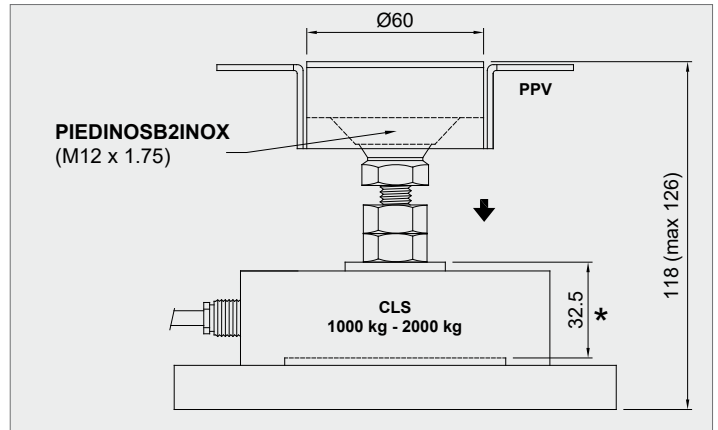
Load cell not included.

DESCRIPTION

- Adjustable upper plate in AISI 304 stainless steel (PPV).
- AISI 304 stainless steel lower plate.
- Constraint against lateral forces and anti-tilt by stainless steel self-centring joint foot.
- Compensation for any misalignments of the support plates of the structure.
- Adjustable height.

DIMENSIONS AND TECHNICAL SPECIFICATIONS

- Finished the installation by means of a copper wire, connect the upper supporting plate with the lower supporting plate, then connect all the lower plates to the earthing system.
- In case of structure with four-point support, if one-point does not touch the support base of the foot, you must proceed to adjust foot height.



*** WARNING!**
Max dimension to insert the bolt to allow the cell to perform properly

