



Capacity 300 kg



- AISI 420 STAINLESS STEEL
- COMBINED ERROR $\leq \pm 0.017\%$
- PROTECTION CLASS IP68

MOUNTING KITS



| CAPACITY | kg | ACCURACY CLASS | | NET WEIGHT (kg) | CODE |
|----------|----|----------------|--|-----------------|--------|
| 300 | | C3 | | 0.9 | FTL300 |

CERTIFICATIONS



OIML R60 C3



Complies with the Eurasian Customs Union standards



Equivalent of the CE marking for the United Kingdom



Complies with United Kingdom regulations for legal for trade use

CERTIFICATIONS ON REQUEST



ATEX II 1GD (zone 0-1-2-20-21-22) (CE - UK CA)

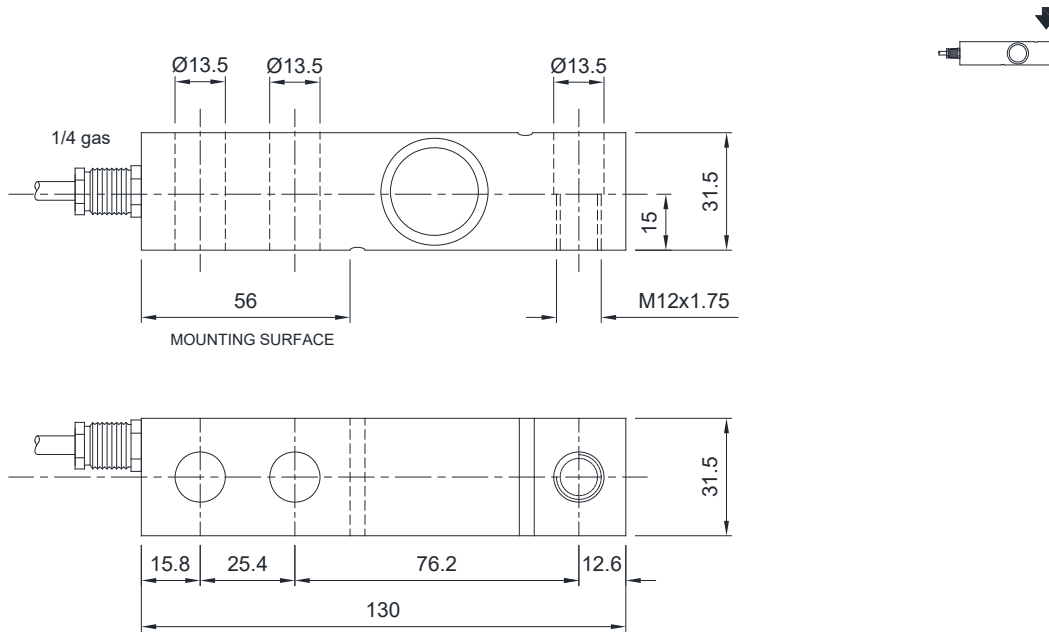


IECEx (zone 0-1-2-20-21-22)



Complies with the Eurasian Customs Union standards for use in potentially explosive atmospheres

DIMENSIONS (mm)



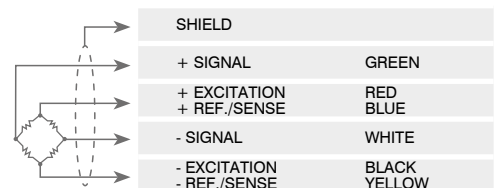
TECHNICAL FEATURES

| | | | |
|--|--------------------------|-------------------------------------|------------|
| Material | AISI 420 stainless steel | | |
| OIML R60 Accuracy class • Verification intervals | C3 • 3000 | | |
| Nominal load (E max) | 300 kg | | |
| Minimum verification interval (V min) | E max / 10000 | | |
| Combined error | ≤ ±0.017% | | |
| Protection class | IP68 | | |
| Rated output | 2 mV/V ± 0.1% * | Input resistance | 400 Ω ± 20 |
| Temperature effect on zero | 0.002% °C | Output resistance | 350 Ω ± 3 |
| Temperature effect on span | 0.0012% °C | Zero balance | ± 2% |
| Compensated temperature range | -10 °C / +40 °C | Insulation resistance | ≥ 5000 MΩ |
| Operating temperature range | -20 °C / +70 °C | Safe overload (% of full scale) | 150% |
| Creep at nominal load in 30 minutes | 0.016% | Ultimate overload (% of full scale) | 200% |
| Max supply voltage without damage | 15 V | Deflection at nominal load | 0.4 mm |

* Calibrated current output

ELECTRICAL CONNECTIONS

| | |
|----------------|--------------------------|
| Cable length | 5.8 m |
| Cable diameter | 6 mm |
| Cores | 6 x 0.22 mm ² |



The Company reserves the right to make changes to the technical data, drawings and images without notice.