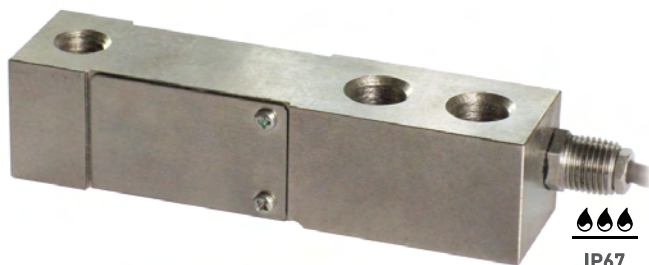




BENDING BEAM: capacity from 75 kg to 300 kg

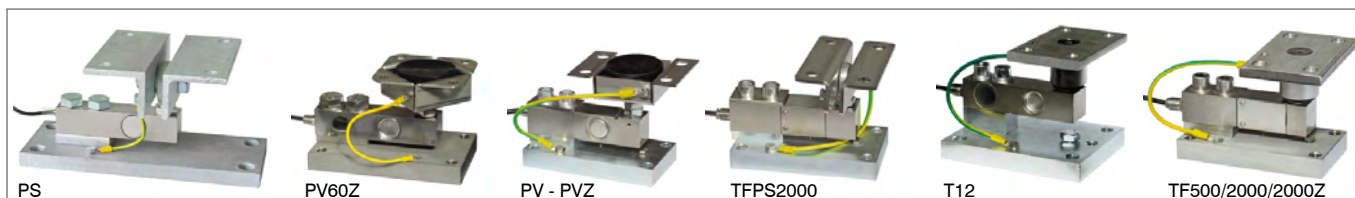


SHEAR BEAM: capacity from 500 kg to 5000 kg



- AISI 4340 NICKEL PLATED STEEL
- COMBINED ERROR $\leq \pm 0.02\%$
- PROTECTION CLASS IP67 - IP68

MOUNTING KITS



CAPACITY	kg	ACCURACY CLASS C3		NET WEIGHT (kg)	CODE
75	75	-	-	1	FTK75
150	150	-	-	1	FTK150
300	300	-	-	1	FTK300
500	500	-	-	1	FTK500
1000	1000	•	•	1.1	FTK1000
2000	2000	•	•	1.1	FTK2000
3000	3000	•	•	1.1	FTK3000
5000	5000	•	•	1.1	FTK5000

CERTIFICATIONS



OIML R60 C3



Complies with the Eurasian Customs Union standards



Equivalent of the CE marking for the United Kingdom



Complies with United Kingdom regulations for legal for trade use

CERTIFICATIONS ON REQUEST



ATEX II 1GD (zone 0-1-2-20-21-22) (CE - UK CA)

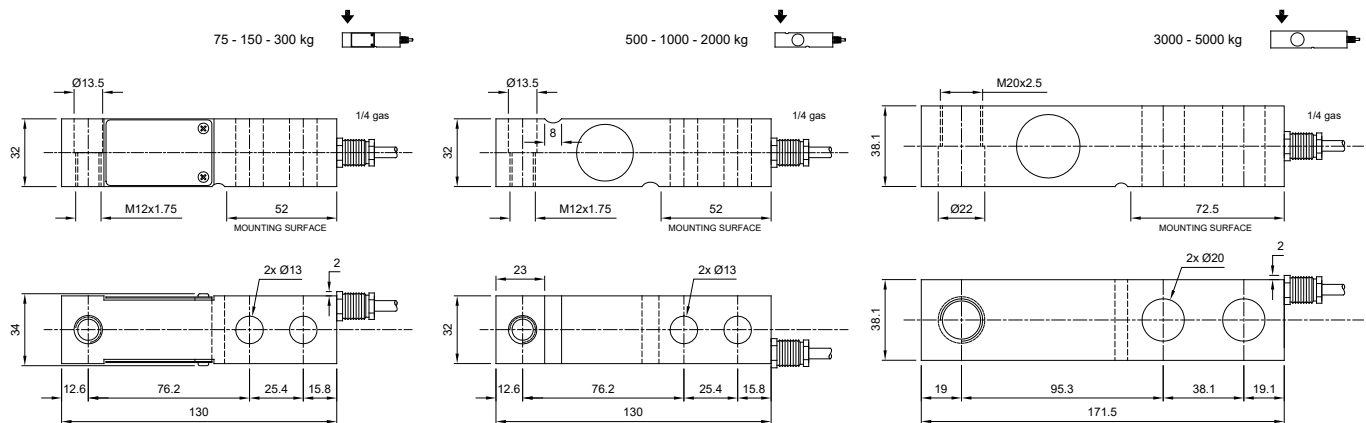


IECEx (zone 0-1-2-20-21-22)



Complies with the Eurasian Customs Union standards for use in potentially explosive atmospheres

DIMENSIONS (mm)

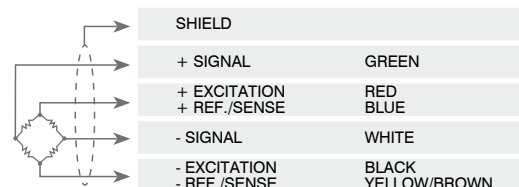


TECHNICAL FEATURES

Material	AISI 4340 nickel plated steel		
OIML R60 Accuracy class • Verification intervals	-	C3 • 3000	
Nominal load (E max)	75 -150 - 300 - 500 kg	1000 - 2000 - 3000 - 5000 kg	
Minimum verification interval (V min)	-	E max / 12000	
Combined error	≤ ±0.02%		
Protection class	IP67 (75 - 300 kg), IP68 (500 - 5000 kg)		
Rated output	2 mV/V ±0.1%	Input resistance	400 Ω ±10
Temperature effect on zero	0.002% °C	Output resistance	352 Ω ±2
Temperature effect on span	0.0012% °C	Zero balance	±2%
Compensated temperature range	-10 °C / +40 °C	Insulation resistance	≥5000 MΩ
Operating temperature range	-20 °C / +70 °C	Safe overload (% of full scale)	150%
Creep at nominal load in 30 minutes	0.03%	Ultimate overload (% of full scale)	250%
Max supply voltage without damage	15 V	Deflection at nominal load	0.6 mm

ELECTRICAL CONNECTIONS

Cable length	6 m
Cable diameter	5 mm
Cores	6 x 0.24 mm ²



COMPLEMENTARY ACCESSORIES

	DESCRIPTION	CODE
	Special steel block for capacities up to 2000 kg.	PIASTRINO

The Company reserves the right to make changes to the technical data, drawings and images without notice.