



Capacity 25000 kg



- 17-4 PH STAINLESS STEEL
- COMBINED ERROR $\leq \pm 0.017\%$
- PROTECTION CLASS IP68
- LIGHTNING PROTECTION

CAPACITY	kg	ACCURACY CLASS			NET WEIGHT (kg)	CODE
25000		C4			2.4	CO25
<input type="checkbox"/> ON REQUEST						

CERTIFICATIONS

- OIML R60 C4
- Complies with the Eurasian Customs Union standards
- Equivalent of the CE marking for the United Kingdom
- Complies with United Kingdom regulations for legal for trade use

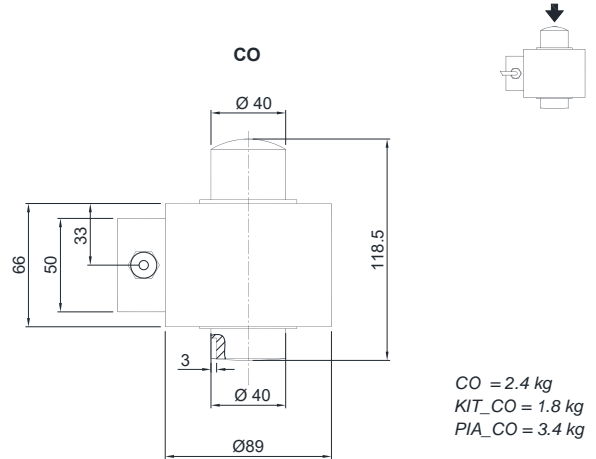
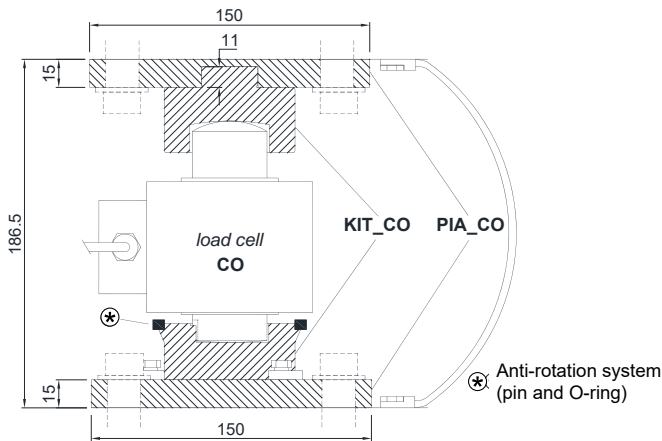
CERTIFICATIONS ON REQUEST

- ATEX II 1GD (zone 0-1-2-20-21-22) (CE - UK CA)
- IECEx (zone 0-1-2-20-21-22)
- Complies with the Eurasian Customs Union standards for use in potentially explosive atmospheres
- Complies with the regulations of the Russian Federation for legal for trade use

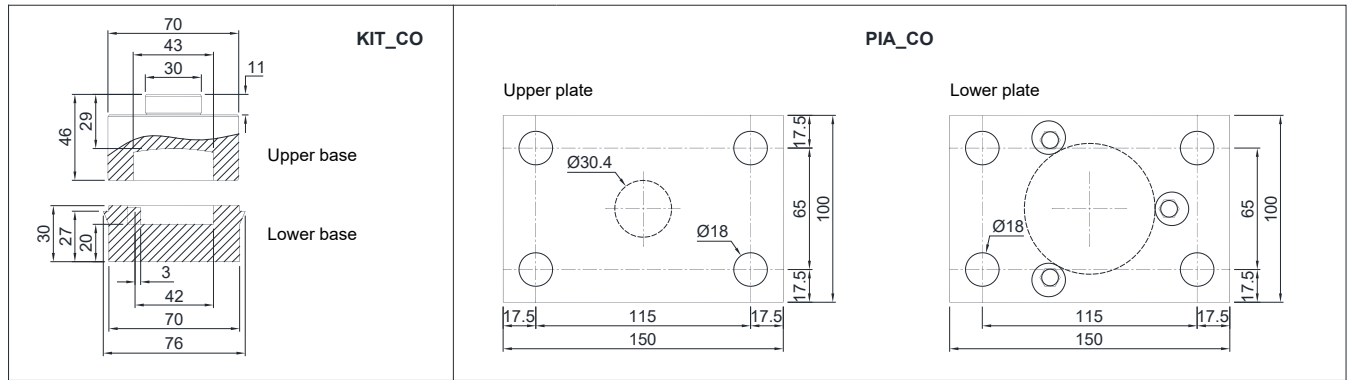
COMPLEMENTARY ACCESSORIES

	DESCRIPTION	CODE
	Stainless steel accessory composed by anti-rotation system with O-ring and 2 bases (upper and lower).	KITCO
	Kit composed by 2 AISI 5140 nickel plated steel plates (upper and lower) for KIT_CO bases.	PIACO

DIMENSIONS (mm)



CO = 2.4 kg
KIT_CO = 1.8 kg
PIA_CO = 3.4 kg



TECHNICAL FEATURES

Material	17-4 PH stainless steel		
OIML R60 Accuracy class • Verification intervals	C4 • 4000		
Nominal load (E max)	25000 kg		
Minimum verification interval (V min)	E max / 15000		
Combined error	≤ ±0.017%		
Protection class	IP68		

Rated output	2 mV/V ± 1%	Input resistance	700 Ω ± 7
Temperature effect on zero	0.002% °C	Output resistance	700 Ω ± 7
Temperature effect on span	0.002% °C	Zero balance	± 1%
Compensated temperature range	-10 °C / +40 °C	Insulation resistance	≥ 5000 MΩ
Operating temperature range	-30 °C / +65 °C	Safe overload (% of full scale)	150%
Creep at nominal load in 30 minutes	0.02%	Ultimate overload (% of full scale)	300%
Max supply voltage without damage	18 V	Deflection at nominal load	0.6 - 1 mm

ELECTRICAL CONNECTIONS

Cable length	15 m
Cable diameter	5 mm
Cores	4 x 0.24 mm ²

