



Manufactured according to OIML R60 standards

Capacity from 1000 kg to 5000 kg



- AISI 420 STAINLESS STEEL
- COMBINED ERROR $\leq \pm 0.03\%$
- PROTECTION CLASS IP68
- INTEGRATED STAINLESS STEEL LOWER PLATE

MOUNTING KITS



CAPACITY	kg	NET WEIGHT (kg)	CODE
	1000	4.1	CLS1000
	2000	4.1	CLS2000
	5000	4.1	CLS5000

CERTIFICATIONS

EAC Complies with the Eurasian Customs Union standards

UKCA Equivalent of the CE marking for the United Kingdom

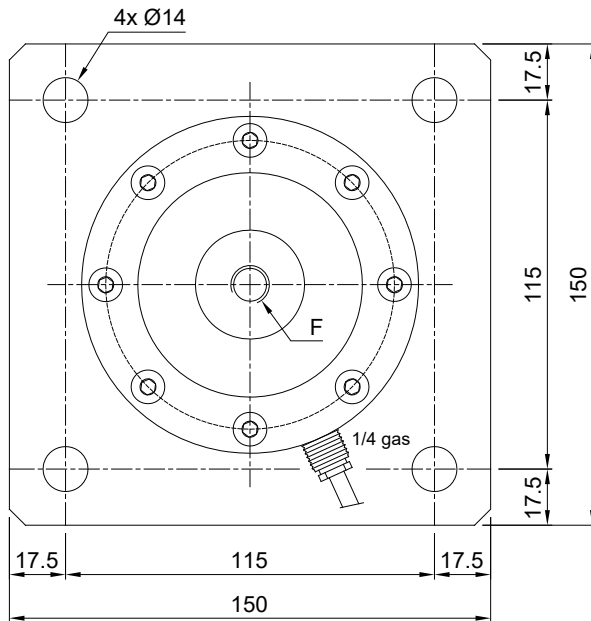
CERTIFICATIONS ON REQUEST

Ex ATEX II 1GD (zone 0-1-2-20-21-22) (CE - UKCA)

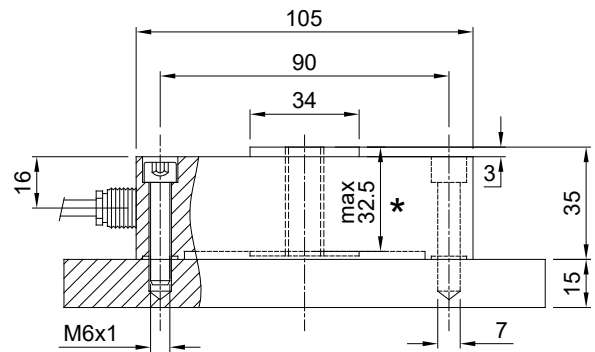
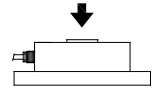
IECEx IECEx (zone 0-1-2-20-21-22)

EAC Ex Complies with the Eurasian Customs Union standards for use in potentially explosive atmospheres

DIMENSIONS (mm)



	F
kg 1000	M12 x 1.75
kg 2000	M12 x 1.75
kg 5000	M20 x 2.5



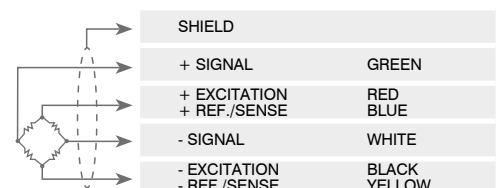
* WARNING! Max dimension to insert the bolt to allow the cell to perform properly

TECHNICAL FEATURES

Material	AISI 420 stainless steel		
Nominal load (E max)	1000 - 2000 - 5000 kg		
Combined error	≤ ±0.03%		
Protection class	IP68		
Rated output	2 mV/V ±0.4%	Input resistance	385 Ω ±10
Temperature effect on zero	0.002% °C	Output resistance	350 Ω ±3
Temperature effect on span	0.012% °C	Zero balance	±1%
Compensated temperature range	-10 °C / +50 °C	Insulation resistance	>5000 MΩ
Operating temperature range	-20 °C / +70 °C	Safe overload (% of full scale)	150%
Creep at nominal load in 30 minutes	0.02%	Ultimate overload (% of full scale)	250%
Max supply voltage without damage	15 V	Deflection at nominal load	0.3 mm

ELECTRICAL CONNECTIONS

Cable length	10 m
Cable diameter	6 mm
Cores	6 x 0.25 mm ²



The Company reserves the right to make changes to the technical data, drawings and images without notice.